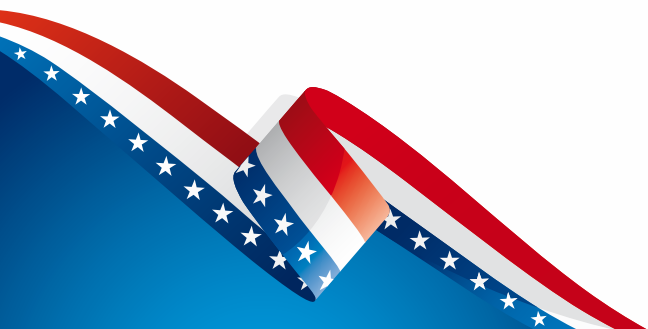




baglioni
pressure solutions

 **MORGANTON**
baglioni



Company

The companies of Baglioni Spa manufacture carbon-and stainless-steel pressure equipment used for storage and processing in the compressed-air, oil & gas, cryogenics, air-treatment and oil/sludge filtering sectors.

Baglioni Group includes seven companies located in Europe, USA, and China.

Certifications

Our products are designed and manufactured in compliance with the applicable EU Directives or according to the major international standards, such as:

- SPVD 2009/105/EC Directive (former 87/404/EC) Simple Pressure Vessels Directive
- PED 97/23/EC Directive Pressure Equipment Directive
- ASME Sect. VIII Div. 1 / Div. 2
- National Board Registration
- Canadian Registration Number (CRN)
- Australian Standard AS1210
- MOM Singapore Regulation
- DOSH Malesia Regulation
- Consular Visa
 - Tunisia
 - Morocco
- Manufacture License of Special Equipment People's Republic of China D1/D2 - A1/A2
- MHLW Japan Regulation
- Israelian Standard Regulation
- Croatia Registration
- Marine Registration
 - ABS American Bureau of Shipping
 - DNV Det Norske Veritas
 - B.V. Bureau Veritas
 - LRS Lloyd's Register of Naval Ship
 - RINA Services
 - GL Germanischer Lloyd
 - NK Nippon Kaiji Kyokai
 - CCS China Classification Society
 - RMRS Russian Maritime Register of Shipping
 - KR Korean Register of Shipping

Special Projects

We cooperate closely with our customers during the activities of research and development, supporting their quality and specification requirements with an ideal view on product integration in the system where our vessels are to be installed. We ensure the utmost care and attention to customized design projects in accordance with customer specifications and instructions, e.g., special flange mounting requirements, manual welding, or customized bracketry.

Finishing

PAINTING:

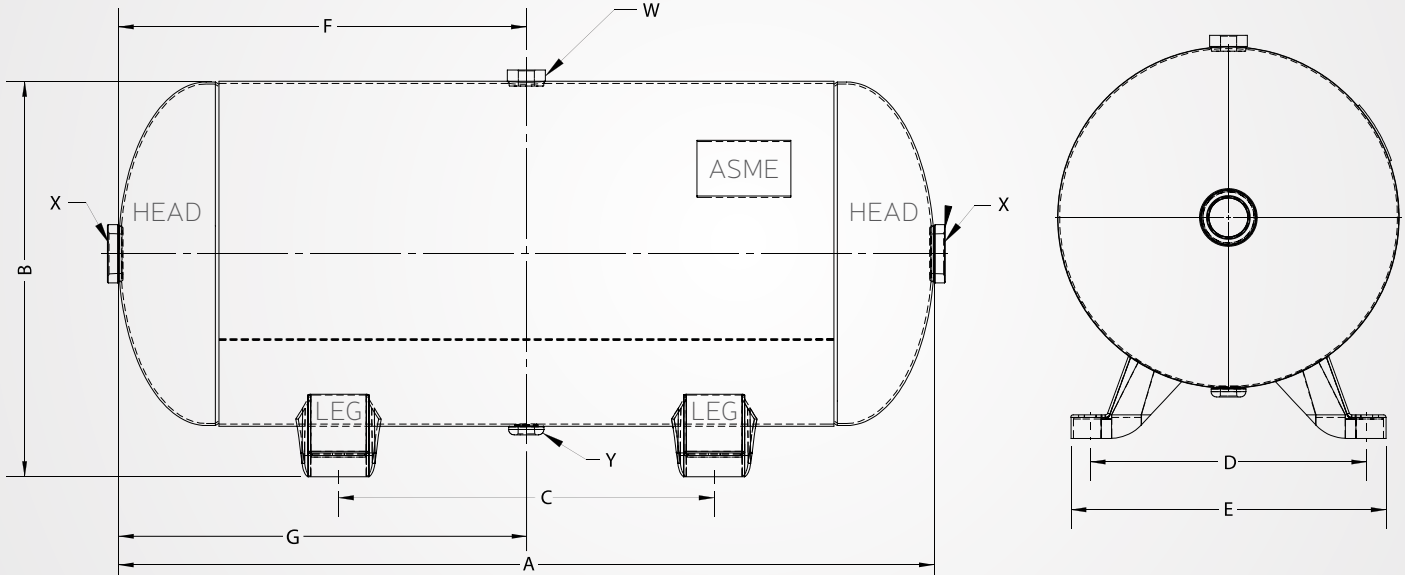
External surface treatment is available on all standard vessels. After an accurate surface preparation through chemical wash-down and/or sandblasting, the product is transferred to dedicated booths where powder paint is sprayed by means of electrostatic or triboelectric spray guns. The processed product is then baked in curing ovens.

HOT-DIP GALVANIZATION:

Internal and external treatment is available for carbon steel vessels. Hot-dip galvanizing is the main method used to protect steel against weather and usage conditions and is performed by dipping the vessels in a series of cleaners followed by molten zinc bath. During this metallurgical process, the surface composition changes into an intercrystalline zinc-steel alloy that forms an extremely resistant, long-lasting anti-corrosion coating. The thickness of the protection depends on material type, dipping time, and zinc bath temperature.



HORIZONTAL AIR RECEIVERS



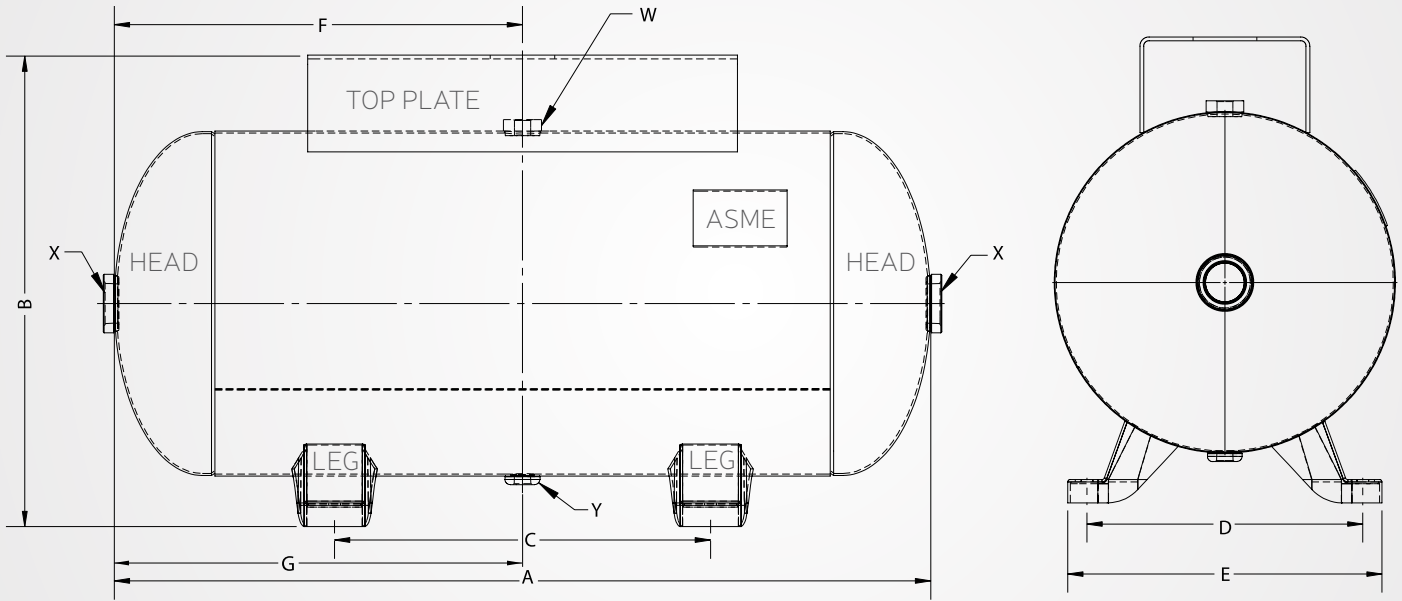
TANK PN	Approval	Capacity	MAWP	OD	A	B	C	D	E	F	G	W	X	Y	Weight
UNFINISHED		GAL	PSI		DIMENSIONS IN INCHES							NPT OPENINGS			Lb
VES04847	ASME/CRN	30	150	16	38.000"	18.410"	17.500"	13.000"	14.802"	19.000"	19.000"	3/4"	1 1/2"	1/2"	67
VES04849	ASME/CRN	60	150	20	48.000"	22.918"	29.000"	17.635"	19.295"	24.000"	24.000"	3/8"	2"	1/4"	112
VES04855	ASME/CRN	80	200	24	46.016"	26.252"	24.000"	20.500"	23.406"	22.008"	37.516"	3/4"	2"	1/4"	180
VES04863	ASME/CRN	120	200	24	67.000"	25.931"	42.000"	20.620"	23.526"	9.380"	33.500"	3/4"	2"	1/2"	239

GREY PRIMER		GAL	PSI		DIMENSIONS IN INCHES							NPT OPENINGS			Lb
VEC02685	ASME/CRN	30	150	16	38.000"	18.410"	17.500"	13.000"	14.802"	19.000"	19.000"	3/4"	1 1/2"	1/2"	67
VEC02698	ASME/CRN	60	150	20	48.000"	22.918"	29.000"	17.635"	19.295"	24.000"	24.000"	3/8"	2"	1/4"	112
VEC02722	ASME/CRN	80	200	24	46.016"	26.252"	24.000"	20.500"	23.406"	22.008"	37.516"	3/4"	2"	1/4"	180
VEC02734	ASME/CRN	120	200	24	67.000"	25.931"	42.000"	20.620"	23.526"	9.380"	33.500"	3/4"	2"	1/2"	239

BLUE RAL 5005		GAL	PSI		DIMENSIONS IN INCHES							NPT OPENINGS			Lb
VEC02686	ASME/CRN	30	150	16	38.000"	18.410"	17.500"	13.000"	14.802"	19.000"	19.000"	3/4"	1 1/2"	1/2"	67
VEC02699	ASME/CRN	60	150	20	48.000"	22.918"	29.000"	17.635"	19.295"	24.000"	24.000"	3/8"	2"	1/4"	112
VEC02723	ASME/CRN	80	200	24	46.016"	26.252"	24.000"	20.500"	23.406"	22.008"	37.516"	3/4"	2"	1/4"	180
VEC02735	ASME/CRN	120	200	24	67.000"	25.931"	42.000"	20.620"	23.526"	9.380"	33.500"	3/4"	2"	1/2"	239

GALVANIZED		GAL	PSI		DIMENSIONS IN INCHES							NPT OPENINGS			Lb
VEZ00065	ASME/CRN	30	150	16	38.000"	18.410"	17.500"	13.000"	14.802"	19.000"	19.000"	3/4"	1 1/2"	1/2"	67
VEZ00066	ASME/CRN	60	150	20	48.000"	22.918"	29.000"	17.635"	19.295"	24.000"	24.000"	3/8"	2"	1/4"	112
VEZ00067	ASME/CRN	80	200	24	46.016"	26.252"	24.000"	20.500"	23.406"	22.008"	37.516"	3/4"	2"	1/4"	180
VEZ00068	ASME/CRN	120	200	24	67.000"	25.931"	42.000"	20.620"	23.526"	9.380"	33.500"	3/4"	2"	1/2"	239

HORIZONTAL AIR RECEIVERS TOP PLATE

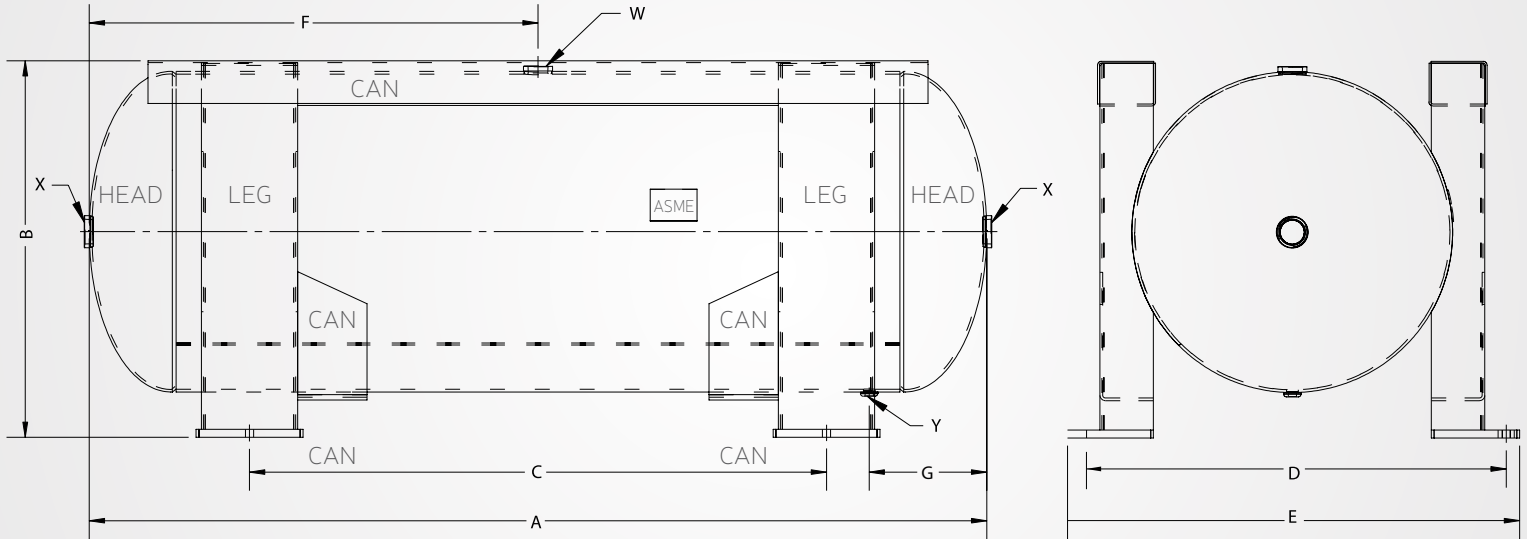


TANKPN	Approval	Capacity	MAWP	OD	A	B	C	D	E	F	G	W	X	Y	Width	Length	Weight
UNFINISHED		GAL	PSI		DIMENSIONS IN INCHES							NPT OPENINGS			TOP PLATE (INCHES)	Lb	
VES04699	ASME/CRN	30	150	16	38.000"	21.902"	17.500"	13.000"	14.802"	19.000"	19.000"	3/4"	1 1/2"	1/2"	8.000"	20.000"	78
VES04773	ASME/CRN	60	150	20	48.000"	26.237"	29.000"	17.635"	19.295"	24.000"	24.000"	3/8"	2"	1/4"	12.000"	32.500"	151
VES04775	ASME/CRN	80	200	24	46.016"	29.893"	24.000"	20.500"	23.406"	22.008"	37.516"	3/4"	2"	1/4"	11.000"	26.000"	210
VES04769	ASME/CRN	120	200	24	67.000"	29.431"	42.000"	20.620"	23.526"	9.380"	33.500"	3/4"	2"	1/2"	12.000"	36.000"	290

GREY PRIMER		GAL	PSI		DIMENSIONS IN INCHES							NPT OPENINGS			TOP PLATE (INCHES)	Lb	
VEC02684	ASME/CRN	30	150	16	38.000"	21.902"	17.500"	13.000"	14.802"	19.000"	19.000"	3/4"	1 1/2"	1/2"	8.000"	20.000"	78
VEC02696	ASME/CRN	60	150	20	48.000"	26.237"	29.000"	17.635"	19.295"	24.000"	24.000"	3/8"	2"	1/4"	12.000"	32.500"	151
VEC02720	ASME/CRN	80	200	24	46.016"	29.893"	24.000"	20.500"	23.406"	22.008"	37.516"	3/4"	2"	1/4"	11.000"	26.000"	210
VEC02732	ASME/CRN	120	200	24	67.000"	29.431"	42.000"	20.620"	23.526"	9.380"	33.500"	3/4"	2"	1/2"	12.000"	36.000"	290

BLUE RAL 5005		GAL	PSI		DIMENSIONS IN INCHES							NPT OPENINGS			TOP PLATE (INCHES)	Lb	
VEC02687	ASME/CRN	30	150	16	38.000"	21.902"	17.500"	13.000"	14.802"	19.000"	19.000"	3/4"	1 1/2"	1/2"	8.000"	20.000"	78
VEC02697	ASME/CRN	60	150	20	48.000"	26.237"	29.000"	17.635"	19.295"	24.000"	24.000"	3/8"	2"	1/4"	12.000"	32.500"	151
VEC02721	ASME/CRN	80	200	24	46.016"	29.893"	24.000"	20.500"	23.406"	22.008"	37.516"	3/4"	2"	1/4"	11.000"	26.000"	210
VEC02733	ASME/CRN	120	200	24	67.000"	29.431"	42.000"	20.620"	23.526"	9.380"	33.500"	3/4"	2"	1/2"	12.000"	36.000"	290

HORIZONTAL AIR RECEIVERS RAIL

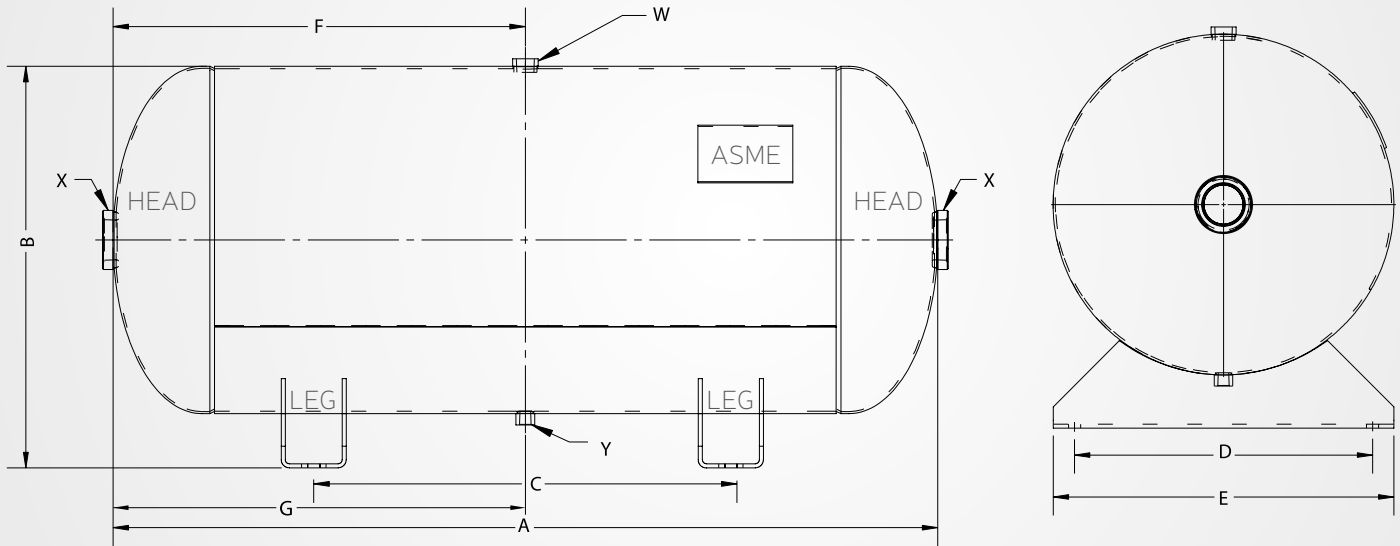


TANK PN	Approval	Capacity	MAWP	OD	A	B	C	D	E	F	G	W	X	Y	Weight
UNFINISHED		GAL	PSI	DIMENSIONS IN INCHES								NPT OPENINGS			Lb
VES04941	ASME/CRN	240	200	30	84.000"	35.250"	54.000"	42.000"	42.500"	42.000"	11.000"	1 1/2"	2"	1/2"	859
VES04793	ASME/CRN	240	260	30	84.000"	35.250"	54.000"	42.000"	42.500"	42.000"	11.000"	1 1/2"	2"	1/2"	1063

TANK PN	Approval	Capacity	MAWP	OD	A	B	C	D	E	F	G	W	X	Y	Weight
GREY PRIMER		GAL	PSI	DIMENSIONS IN INCHES								NPT OPENINGS			Lb
VEC02781	ASME/CRN	240	200	30	84.000"	35.250"	54.000"	42.000"	42.500"	42.000"	11.000"	1 1/2"	2"	1/2"	859
VEC02750	ASME/CRN	240	260	30	84.000"	35.250"	54.000"	42.000"	42.500"	42.000"	11.000"	1 1/2"	2"	1/2"	1063

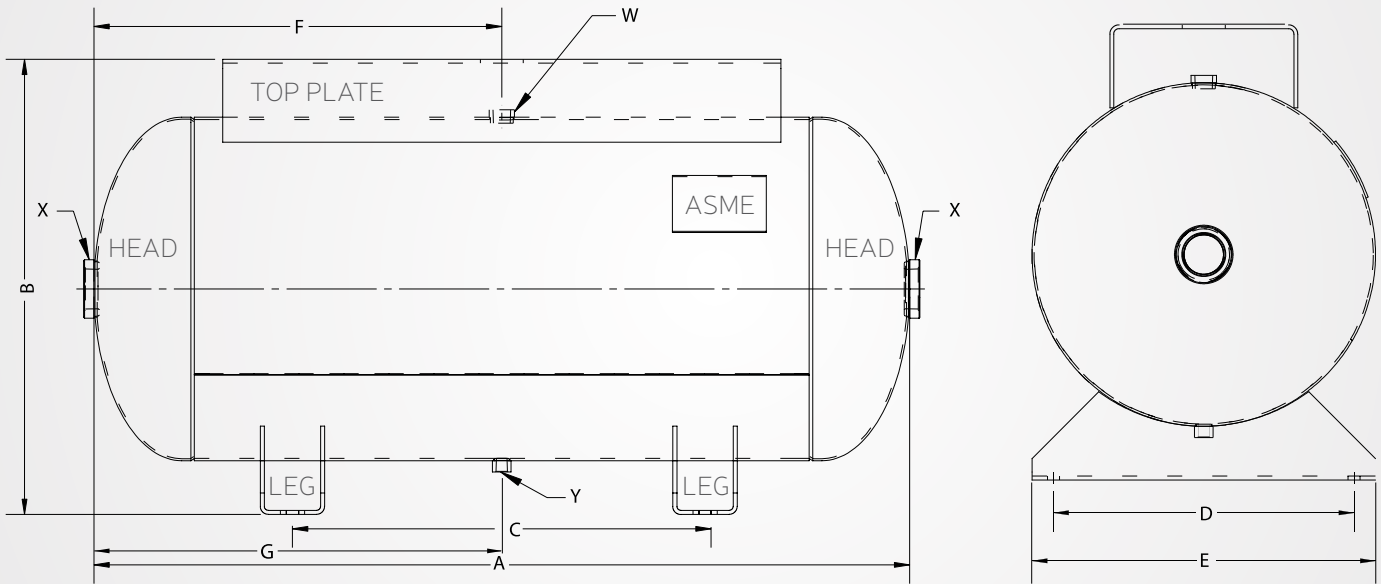
TANK PN	Approval	Capacity	MAWP	OD	A	B	C	D	E	F	G	W	X	Y	Weight
BLUE RAL 5005		GAL	PSI	DIMENSIONS IN INCHES								NPT OPENINGS			Lb
VEC02782	ASME/CRN	240	200	30	84.000"	35.250"	54.000"	42.000"	42.500"	42.000"	11.000"	1 1/2"	2"	1/2"	859
VEC02751	ASME/CRN	240	260	30	84.000"	35.250"	54.000"	42.000"	42.500"	42.000"	11.000"	1 1/2"	2"	1/2"	1063

HORIZONTAL AIR RECEIVERS **SADDLE**



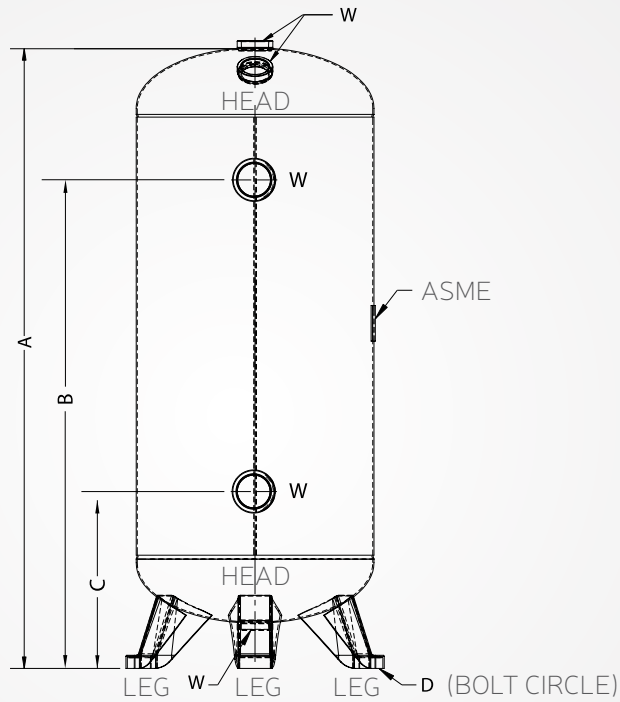
TANK PN	Approval	Capacity	MAWP	OD	A	B	C	D	E	F	G	W	X	Y	Weight
UNFINISHED		GAL	PSI		DIMENSIONS IN INCHES							NPT OPENINGS			Lb
VES04848	ASME/CRN	30	200	16	38.000"	18.500"	19.500"	14.000"	16.000"	19.000"	19.000"	1/2"	1 1/2"	1/4"	95
VES04850	ASME/CRN	60	200	20	48.000"	23.250"	28.000"	18.750"	21.000"	24.000"	24.000"	3/4"	2"	1/4"	164
VES04854	ASME/CRN	80	200	20	63.000"	22.000"	44.000"	16.500"	19.000"	12.750"	31.500"	3/4"	2"	1/4"	197
VES04864	ASME/CRN	120	260	24	67.000"	27.324"	42.000"	23.750"	26.500"	8.750"	9.750"	1"	2"	1/2"	379
VES04866	ASME/CRN	240	200	30	83.934"	33.186"	42.000"	27.500"	30.000"	12.000"	--	1 1/4"	2"	1/2"	572
GREY PRIMER		GAL	PSI		DIMENSIONS IN INCHES							NPT OPENINGS			Lb
VEC02690	ASME/CRN	30	200	16	38.000"	18.500"	19.500"	14.000"	16.000"	19.000"	19.000"	1/2"	1 1/2"	1/4"	95
VEC02702	ASME/CRN	60	200	20	48.000"	23.250"	28.000"	18.750"	21.000"	24.000"	24.000"	3/4"	2"	1/4"	164
VEC02718	ASME/CRN	80	200	20	63.000"	22.000"	44.000"	16.500"	19.000"	12.750"	31.500"	3/4"	2"	1/4"	197
VEC02738	ASME/CRN	120	260	24	67.000"	27.324"	42.000"	23.750"	26.500"	8.750"	9.750"	1"	2"	1/2"	379
VEC02748	ASME/CRN	240	200	30	83.934"	33.186"	42.000"	27.500"	30.000"	12.000"	--	1 1/4"	2"	1/2"	572
BLUE RAL 5005		GAL	PSI		DIMENSIONS IN INCHES							NPT OPENINGS			Lb
VEC02691	ASME/CRN	30	200	16	38.000"	18.500"	19.500"	14.000"	16.000"	19.000"	19.000"	1/2"	1 1/2"	1/4"	95
VEC02703	ASME/CRN	60	200	20	48.000"	23.250"	28.000"	18.750"	21.000"	24.000"	24.000"	3/4"	2"	1/4"	164
VEC02719	ASME/CRN	80	200	20	63.000"	22.000"	44.000"	16.500"	19.000"	12.750"	31.500"	3/4"	2"	1/4"	197
VEC02739	ASME/CRN	120	260	24	67.000"	27.324"	42.000"	23.750"	26.500"	8.750"	9.750"	1"	2"	1/2"	379
VEC02749	ASME/CRN	240	200	30	83.934"	33.186"	42.000"	27.500"	30.000"	12.000"	--	1 1/4"	2"	1/2"	572
GALVANIZED		GAL	PSI		DIMENSIONS IN INCHES							NPT OPENINGS			Lb
VEZ00069	ASME/CRN	30	200	16	38.000"	18.500"	19.500"	14.000"	16.000"	19.000"	19.000"	1/2"	1 1/2"	1/4"	95
VEZ00070	ASME/CRN	60	200	20	48.000"	23.250"	28.000"	18.750"	21.000"	24.000"	24.000"	3/4"	2"	1/4"	164
VEZ00071	ASME/CRN	80	200	20	63.000"	22.000"	44.000"	16.500"	19.000"	12.750"	31.500"	3/4"	2"	1/4"	197
VEZ00072	ASME/CRN	120	260	24	67.000"	27.324"	42.000"	23.750"	26.500"	8.750"	9.750"	1"	2"	1/2"	379
VEZ00073	ASME/CRN	240	200	30	83.934"	33.186"	42.000"	27.500"	30.000"	12.000"	--	1 1/4"	2"	1/2"	572

HORIZONTAL AIR RECEIVERS SADDLE TOP PLATE



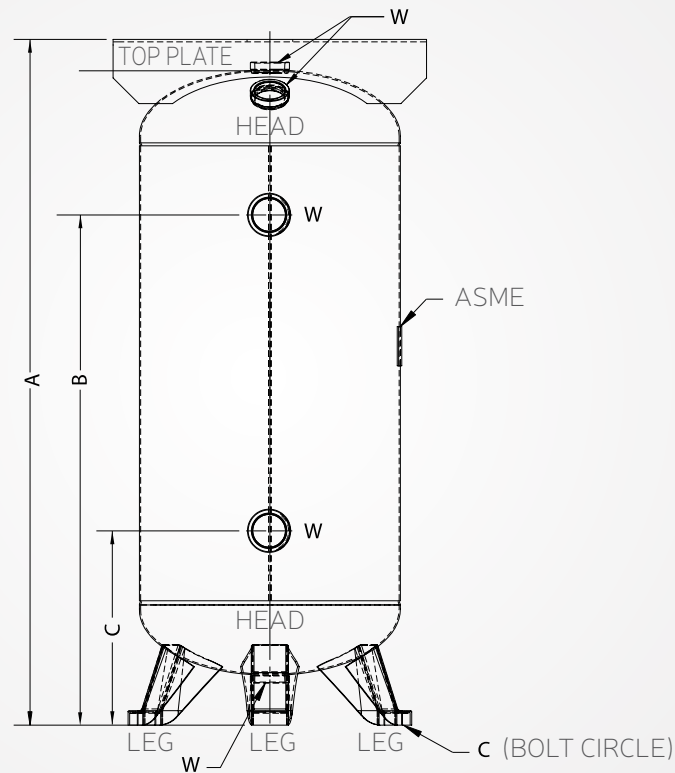
TANKPN	Approval	Capacity	MAWP	OD	A	B	C	D	E	F	G	W	X	Y	Width	Length	Weight
UNFINISHED		GAL	PSI		DIMENSIONS IN INCHES							NPT OPENINGS			TOP PLATE (INCHES)		Lb
VES04760	ASME/CRN	30	200	16	38.000"	21.200"	19.500"	14.000"	16.000"	19.000"	19.000"	1 1/2"	1 1/2"	1/4"	8.750"	26.000"	121
VES04774	ASME/CRN	60	200	20	48.000"	26.569"	28.000"	18.750"	21.000"	24.000"	24.000"	3/4"	2"	1/4"	12.000"	32.500"	202
VES04781	ASME/CRN	80	200	20	63.000"	26.000"	44.000"	16.500"	19.000"	12.750"	31.500"	3/4"	2"	1/4"	8.000"	34.000"	231
VES04768	ASME/CRN	120	260	24	67.000"	29.486"	42.000"	23.750"	26.500"	8.750"	9.750"	1"	2"	1/2"	16.000"	42.000"	449
VES04792	ASME/CRN	240	200	30	83.934"	36.210"	42.000"	27.500"	30.000"	12.000"	--	1 1/4"	2"	1/2"	16.000"	42.000"	642
GREY PRIMER		GAL	PSI		DIMENSIONS IN INCHES							NPT OPENINGS			TOP PLATE (INCHES)		Lb
VEC02688	ASME/CRN	30	200	16	38.000"	21.200"	19.500"	14.000"	16.000"	19.000"	19.000"	1 1/2"	1 1/2"	1/4"	8.750"	26.000"	121
VEC02700	ASME/CRN	60	200	20	48.000"	26.569"	28.000"	18.750"	21.000"	24.000"	24.000"	3/4"	2"	1/4"	12.000"	32.500"	202
VEC02716	ASME/CRN	80	200	20	63.000"	26.000"	44.000"	16.500"	19.000"	12.750"	31.500"	3/4"	2"	1/4"	8.000"	34.000"	231
VEC02736	ASME/CRN	120	260	24	67.000"	29.486"	42.000"	23.750"	26.500"	8.750"	9.750"	1"	2"	1/2"	16.000"	42.000"	449
VEC02746	ASME/CRN	240	200	30	83.934"	36.210"	42.000"	27.500"	30.000"	12.000"	--	1 1/4"	2"	1/2"	16.000"	42.000"	642
BLUE RAL 5005		GAL	PSI		DIMENSIONS IN INCHES							NPT OPENINGS			TOP PLATE (INCHES)		Lb
VEC02689	ASME/CRN	30	200	16	38.000"	21.200"	19.500"	14.000"	16.000"	19.000"	19.000"	1 1/2"	1 1/2"	1/4"	8.750"	26.000"	121
VEC02701	ASME/CRN	60	200	20	48.000"	26.569"	28.000"	18.750"	21.000"	24.000"	24.000"	3/4"	2"	1/4"	12.000"	32.500"	202
VEC02717	ASME/CRN	80	200	20	63.000"	26.000"	44.000"	16.500"	19.000"	12.750"	31.500"	3/4"	2"	1/4"	8.000"	34.000"	231
VEC02737	ASME/CRN	120	260	24	67.000"	29.486"	42.000"	23.750"	26.500"	8.750"	9.750"	1"	2"	1/2"	16.000"	42.000"	449
VEC02747	ASME/CRN	240	200	30	83.934"	36.210"	42.000"	27.500"	30.000"	12.000"	--	1 1/4"	2"	1/2"	16.000"	42.000"	642

VERTICAL AIR RECEIVERS



TANK PN	Approval	Capacity	MAWP	OD	A	B	C	D	W	X	Y	Weight
UNFINISHED		GAL	PSI		DIMENSIONS IN INCHES				NPT OPENINGS			Lb
VES04759	ASME/CRN	30	150	16	41.000"	32.750"	10.750"	19.000"	1 1/2"	--	--	67
VES05197	ASME/CRN	30	200	16	40.377"	30.337"	11.337"	18.000"	1 1/2"	--	--	80
VES04851	ASME/CRN	60	150	20	52.123"	--	--	23.000"	2"	--	--	100
VES04852	ASME/CRN	60	170	20	50.125"	--	--	23.000"	2"	--	--	100
VES04853	ASME/CRN	60	200	20	50.192"	--	--	22.047"	2"	--	--	132
VES04862	ASME/CRN	80	200	24	49.388"	39.508"	--	26.000"	2"	--	--	172
GREY PRIMER		GAL	PSI		DIMENSIONS IN INCHES				NPT OPENINGS			Lb
VEC02692	ASME/CRN	30	150	16	41.000"	32.750"	10.750"	19.000"	1 1/2"	--	--	67
VEC02939	ASME/CRN	30	200	16	40.377"	30.337"	11.337"	18.000"	1 1/2"	--	--	80
VEC02706	ASME/CRN	60	150	20	52.123"	--	--	23.000"	2"	--	--	100
VEC02710	ASME/CRN	60	170	20	50.125"	--	--	23.000"	2"	--	--	100
VEC02714	ASME/CRN	60	200	20	50.192"	--	--	22.047"	2"	--	--	132
VEC02726	ASME/CRN	80	200	24	49.388"	39.508"	--	26.000"	2"	--	--	172
BLUE RAL 5005		GAL	PSI		DIMENSIONS IN INCHES				NPT OPENINGS			Lb
VEC02693	ASME/CRN	30	150	16	41.000"	32.750"	10.750"	19.000"	1 1/2"	--	--	67
VEC02938	ASME/CRN	30	200	16	40.377"	30.337"	11.337"	18.000"	1 1/2"	--	--	80
VEC02707	ASME/CRN	60	150	20	52.123"	--	--	23.000"	2"	--	--	100
VEC02711	ASME/CRN	60	170	20	50.125"	--	--	23.000"	2"	--	--	100
VEC02715	ASME/CRN	60	200	20	50.192"	--	--	22.047"	2"	--	--	132
VEC02727	ASME/CRN	80	200	24	49.388"	39.508"	--	26.000"	2"	--	--	172
GALVANIZED		GAL	PSI		DIMENSIONS IN INCHES				NPT OPENINGS			Lb
VEZ00047	ASME/CRN	30	150	16	41.000"	32.750"	10.750"	19.000"	1 1/2"	--	--	67
VEZ00064	ASME/CRN	30	200	16	40.377"	30.337"	11.337"	18.000"	1 1/2"	--	--	80
VEZ00058	ASME/CRN	60	150	20	52.123"	--	--	23.000"	2"	--	--	100
VEZ00059	ASME/CRN	60	170	20	50.125"	--	--	23.000"	2"	--	--	100
VEZ00060	ASME/CRN	60	200	20	50.192"	--	--	22.047"	2"	--	--	132
VEZ00057	ASME/CRN	80	200	24	49.388"	39.508"	--	26.000"	2"	--	--	172

VERTICAL AIR RECEIVERS **TOP PLATE**

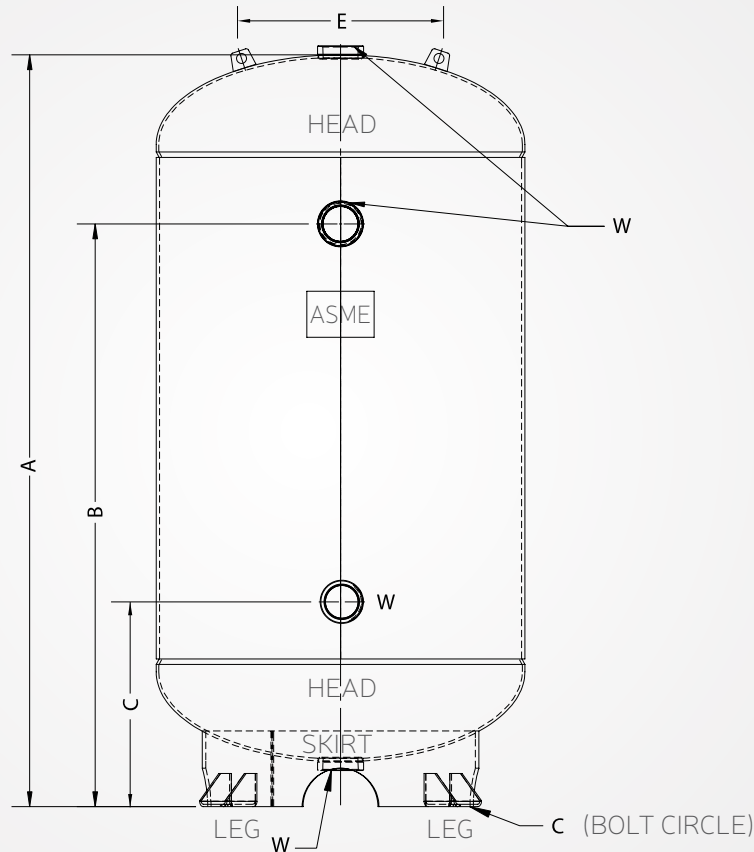


TANK PN	Approval	Capacity	MAWP	OD	A	B	C	D	W	X	Y	Width	Lenght	Weight
UNFINISHED		GAL	PSI		DIMENSIONS IN INCHES				NPT OPENINGS			TOP PLATE (INCHES)		Lb
VES05198	ASME/CRN	30	200	16	42.000"	30.337"	11.337"	18.000"	1 1/2"	--	--	10.000"	24.000"	97
VES04770	ASME/CRN	60	150	20	55.436"	--	--	23.000"	2"	--	--	9.055"	24.016"	121
VES04771	ASME/CRN	60	170	20	52.529"	--	--	23.000"	2"	--	--	9.055"	24.016"	121
VES04772	ASME/CRN	60	200	20	53.500"	--	--	22.047"	2"	--	--	9.055"	24.016"	152
VES04784	ASME/CRN	80	200	24	52.880"	39.508"	--	26.000"	2"	--	--	12.000"	32.500"	213

GREY PRIMER		GAL	PSI		DIMENSIONS IN INCHES				NPT OPENINGS			TOP PLATE (INCHES)		Lb
VEC02941	ASME/CRN	30	200	16	42.000"	30.337"	11.337"	18.000"	1 1/2"	--	--	10.000"	24.000"	97
VEC02704	ASME/CRN	60	150	20	55.436"	--	--	23.000"	2"	--	--	9.055"	24.016"	121
VEC02708	ASME/CRN	60	170	20	52.529"	--	--	23.000"	2"	--	--	9.055"	24.016"	121
VEC02712	ASME/CRN	60	200	20	53.500"	--	--	22.047"	2"	--	--	9.055"	24.016"	152
VEC02724	ASME/CRN	80	200	24	52.880"	39.508"	--	26.000"	2"	--	--	12.000"	32.500"	213

BLUE RAL 5005		GAL	PSI		DIMENSIONS IN INCHES				NPT OPENINGS			TOP PLATE (INCHES)		Lb
VEC02940	ASME/CRN	30	200	16	42.000"	30.337"	11.337"	18.000"	1 1/2"	--	--	10.000"	24.000"	97
VEC02705	ASME/CRN	60	150	20	55.436"	--	--	23.000"	2"	--	--	9.055"	24.016"	121
VEC02709	ASME/CRN	60	170	20	52.529"	--	--	23.000"	2"	--	--	9.055"	24.016"	121
VEC02713	ASME/CRN	60	200	20	53.500"	--	--	22.047"	2"	--	--	9.055"	24.016"	152
VEC02725	ASME/CRN	80	200	24	52.880"	39.508"	--	26.000"	2"	--	--	12.000"	32.500"	213

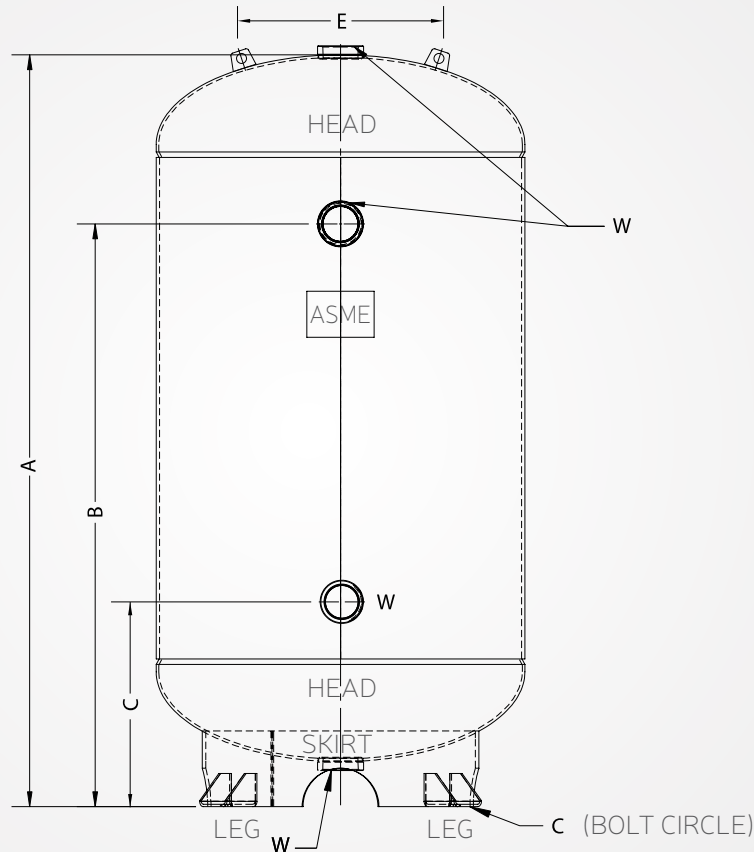
VERTICAL AIR RECEIVERS **SKIRT**



TANK PN	Approval	Capacity	MAWP	OD	A	B	C	D	E	W	X	Y	Weight
UNFINISHED		GAL	PSI		DIMENSIONS IN INCHES					NPT OPENINGS			Lb
VES04761	ASME/CRN	30	200	16	39.541"	31.329"	12.329"	13.000"	--	1 1/2"	--	--	78
VES04882	ASME/CRN	60	200	20	53.681"	--	--	17.000"	--	2"	--	--	132
VES04883	ASME/CRN	80	200	20	68.681"	55.931"	--	17.000"	--	2"	--	--	176
VES04861	ASME/CRN	80	260	24	48.934"	37.926"	--	21.000"	--	2"	--	--	254
VES04767	ASME/CRN	120	200	24	70.000"	55.625"	14.375"	21.000"	--	2"	--	--	233
VES04865	ASME/CRN	120	200	30	52.197"	39.750"	29.750"	26.000"	--	2"	--	--	339
VES04794	ASME/CRN	240	150	30	92.000"	78.000"	22.000"	26.000"	14.000"	2"	--	--	478
VES04795	ASME/CRN	240	200	30	91.750"	78.130"	21.370"	26.000"	14.000"	2"	--	--	552
VES04796	ASME/CRN	240	260	30	92.000"	79.000"	20.000"	26.000"	14.000"	2"	--	--	767
VES04765	ASME/CRN	400	150	36	100.580"	86.580"	22.000"	31.000"	24.000"	2"	--	--	784
VES04764	ASME/CRN	400	200	36	100.580"	86.287"	22.287"	31.000"	18.000"	2"	--	--	863

TANK PN	Approval	Capacity	MAWP	OD	A	B	C	D	E	W	X	Y	Weight
GREY PRIMER		GAL	PSI		DIMENSIONS IN INCHES					NPT OPENINGS			Lb
VEC02694	ASME/CRN	30	200	16	39.541"	31.329"	12.329"	13.000"	--	1 1/2"	--	--	78
VEC02764	ASME/CRN	60	200	20	53.681"	--	--	17.000"	--	2"	--	--	132
VEC02766	ASME/CRN	80	200	20	68.681"	55.931"	--	17.000"	--	2"	--	--	176
VEC02730	ASME/CRN	80	260	24	48.934"	37.926"	--	21.000"	--	2"	--	--	254
VEC02740	ASME/CRN	120	200	24	70.000"	55.625"	14.375"	21.000"	--	2"	--	--	233
VEC02744	ASME/CRN	120	200	30	52.197"	39.750"	29.750"	26.000"	--	2"	--	--	339
VEC02752	ASME/CRN	240	150	30	92.000"	78.000"	22.000"	26.000"	14.000"	2"	--	--	478
VEC02754	ASME/CRN	240	200	30	91.750"	78.130"	21.370"	26.000"	14.000"	2"	--	--	552
VEC02756	ASME/CRN	240	260	30	92.000"	79.000"	20.000"	26.000"	14.000"	2"	--	--	767
VEC02758	ASME/CRN	400	150	36	100.580"	86.580"	22.000"	31.000"	24.000"	2"	--	--	784
VEC02760	ASME/CRN	400	200	36	100.580"	86.287"	22.287"	31.000"	18.000"	2"	--	--	863

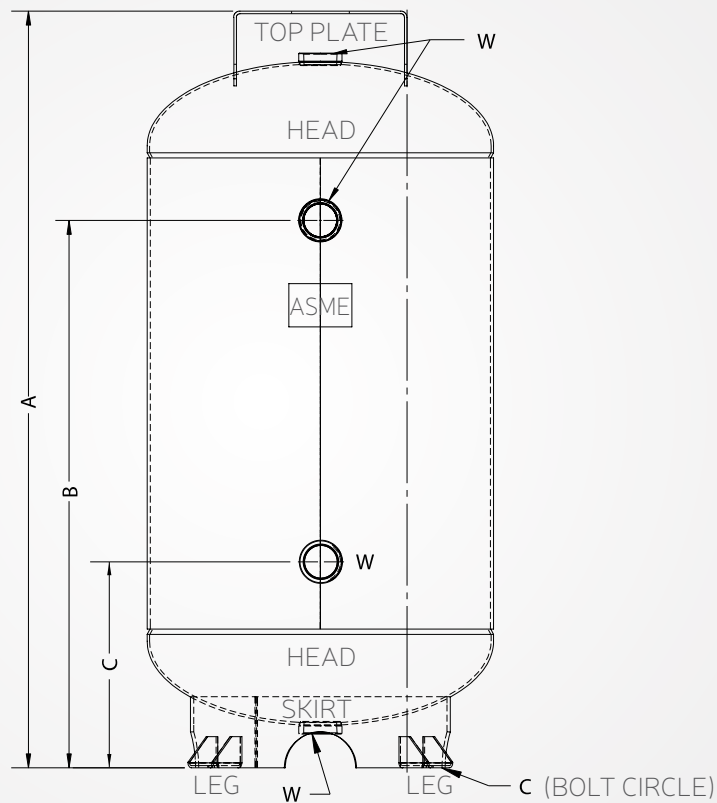
VERTICAL AIR RECEIVERS **SKIRT**



TANK PN	Approval	Capacity	MAWP	OD	A	B	C	D	E	W	X	Y	Weight	
BLUE RAL 5005		GAL	PSI	DIMENSIONS IN INCHES							NPT OPENINGS			Lb
VEC02695	ASME/CRN	30	200	16	39.541"	31.329"	12.329"	13.000"	--	1 1/2"	--	--	70	
VEC02763	ASME/CRN	60	200	20	53.681"	--	--	17.000"	--	2"	--	--	120	
VEC02765	ASME/CRN	80	200	20	68.681"	55.931"	--	17.000"	--	2"	--	--	176	
VEC02731	ASME/CRN	80	260	24	48.934"	37.926"	--	21.000"	--	2"	--	--	240	
VEC02741	ASME/CRN	120	200	24	70.000"	55.625"	14.375"	21.000"	--	2"	--	--	232	
VEC02745	ASME/CRN	120	200	30	52.197"	39.750"	29.750"	26.000"	--	2"	--	--	313	
VEC02753	ASME/CRN	240	150	30	92.000"	78.000"	22.000"	26.000"	14.000"	2"	--	--	477	
VEC02755	ASME/CRN	240	200	30	91.750"	78.130"	21.370"	26.000"	14.000"	2"	--	--	520	
VEC02757	ASME/CRN	240	260	30	92.000"	79.000"	20.000"	26.000"	14.000"	2"	--	--	653	
VEC02759	ASME/CRN	400	150	36	100.580"	86.580"	22.000"	31.000"	24.000"	2"	--	--	648	
VEC02761	ASME/CRN	400	200	36	100.580"	86.287"	22.287"	31.000"	18.000"	2"	--	--	775	

TANK PN	Approval	Capacity	MAWP	OD	A	B	C	D	E	W	X	Y	Weight	
GALVANIZED		GAL	PSI	DIMENSIONS IN INCHES							NPT OPENINGS			Lb
VEZ00048	ASME/CRN	30	200	16	39.541"	31.329"	12.329"	13.000"	--	1 1/2"	--	--	70	
VEZ00061	ASME/CRN	60	200	20	53.681"	--	--	17.000"	--	2"	--	--	120	
VEZ00062	ASME/CRN	80	200	20	68.681"	55.931"	--	17.000"	--	2"	--	--	176	
VEZ00056	ASME/CRN	80	260	24	48.934"	37.926"	--	21.000"	--	2"	--	--	240	
VEZ00051	ASME/CRN	120	200	24	70.000"	55.625"	14.375"	21.000"	--	2"	--	--	232	
VEZ00052	ASME/CRN	120	200	30	52.197"	39.750"	29.750"	26.000"	--	2"	--	--	313	
VEZ00053	ASME/CRN	240	150	30	92.000"	78.000"	22.000"	26.000"	14.000"	2"	--	--	477	
VEZ00054	ASME/CRN	240	200	30	91.750"	78.130"	21.370"	26.000"	14.000"	2"	--	--	520	
VEZ00055	ASME/CRN	240	260	30	92.000"	79.000"	20.000"	26.000"	14.000"	2"	--	--	653	
VEZ00050	ASME/CRN	400	150	36	100.580"	86.580"	22.000"	31.000"	24.000"	2"	--	--	648	
VEZ00049	ASME/CRN	400	200	36	100.580"	86.287"	22.287"	31.000"	18.000"	2"	--	--	775	

VERTICAL AIR RECEIVERS **SKIRT TOP PLATE**



TANKPN	Approval	Capacity	MAWP	OD	A	B	C	D	W	X	Y	Width	Lenght	Weight
UNFINISHED		GAL	PSI	DIMENSIONS IN INCHES				NPT OPENINGS			TOP PLATE (INCHES)		Lb	
VES04880	ASME/CRN	60	200	20	55.500"	--	--	17.000"	2"	--	--	9.055"	24.016"	153
VES04881	ASME/CRN	80	200	24	52.426"	37.926"		21.000"	2"	--	--	12.000"	32.500"	210
VES04783	ASME/CRN	80	260	24	52.426"	37.926"		21.000"	2"	--	--	12.000"	32.500"	295
VES04766	ASME/CRN	120	200	30	55.000"	39.750"	29.750"	26.000"	2"	--	--	14.310"	35.000"	384

GREY PRIMER		GAL	PSI	DIMENSIONS IN INCHES				NPT OPENINGS			TOP PLATE (INCHES)		Lb	
VEC02768	ASME/CRN	60	200	20	55.500"	--	--	17.000"	2"	--	--	9.055"	24.016"	153
VEC02770	ASME/CRN	80	200	24	52.426"	37.926"		21.000"	2"	--	--	12.000"	32.500"	210
VEC02728	ASME/CRN	80	260	24	52.426"	37.926"		21.000"	2"	--	--	12.000"	32.500"	295
VEC02742	ASME/CRN	120	200	30	55.000"	39.750"	29.750"	26.000"	2"	--	--	14.310"	35.000"	384

BLUE RAL 5005		GAL												
VEC02767	ASME/CRN	60	200	20	55.500"	--	--	17.000"	2"	--	--	9.055"	24.016"	153
VEC02769	ASME/CRN	80	200	24	52.426"	37.926"		21.000"	2"	--	--	12.000"	32.500"	210
VEC02729	ASME/CRN	80	260	24	52.426"	37.926"		21.000"	2"	--	--	12.000"	32.500"	295
VEC02743	ASME/CRN	120	200	30	55.000"	39.750"	29.750"	26.000"	2"	--	--	14.310"	35.000"	384



MPV MORGANTON PRESSURE
VESSELS

1 Alfredo Baglioni Drive
MARION NC 28752 USA
Tel. +1 (828) 652-3704

sales@morgantonpv.com

www.baglioni spa.com

